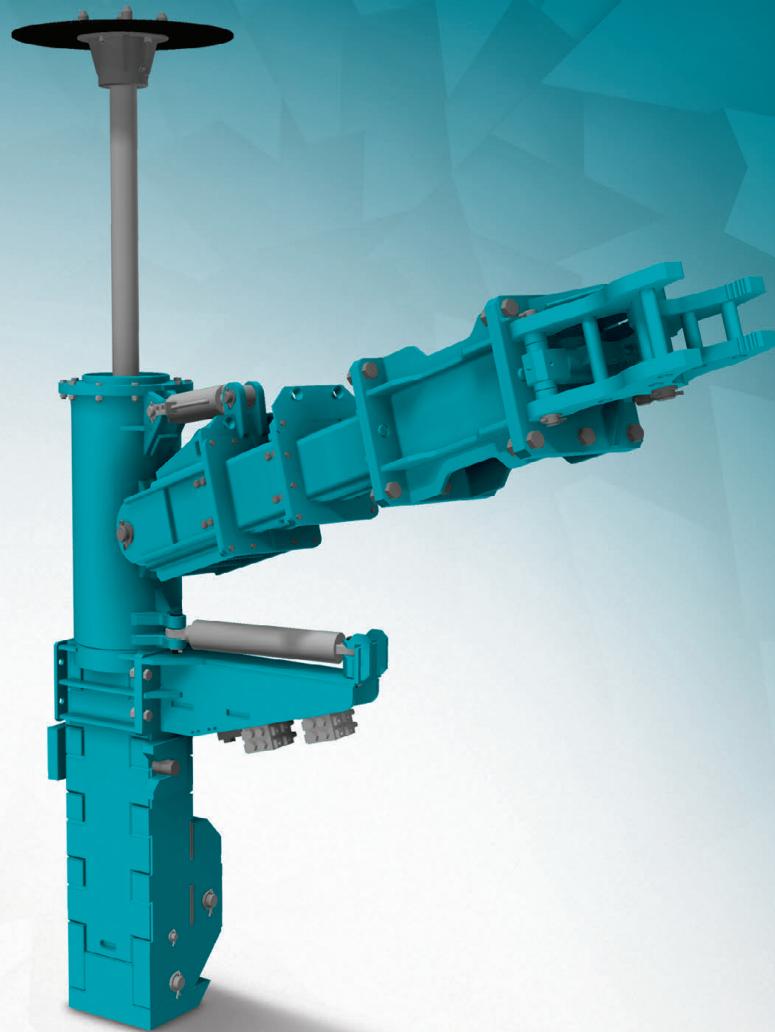




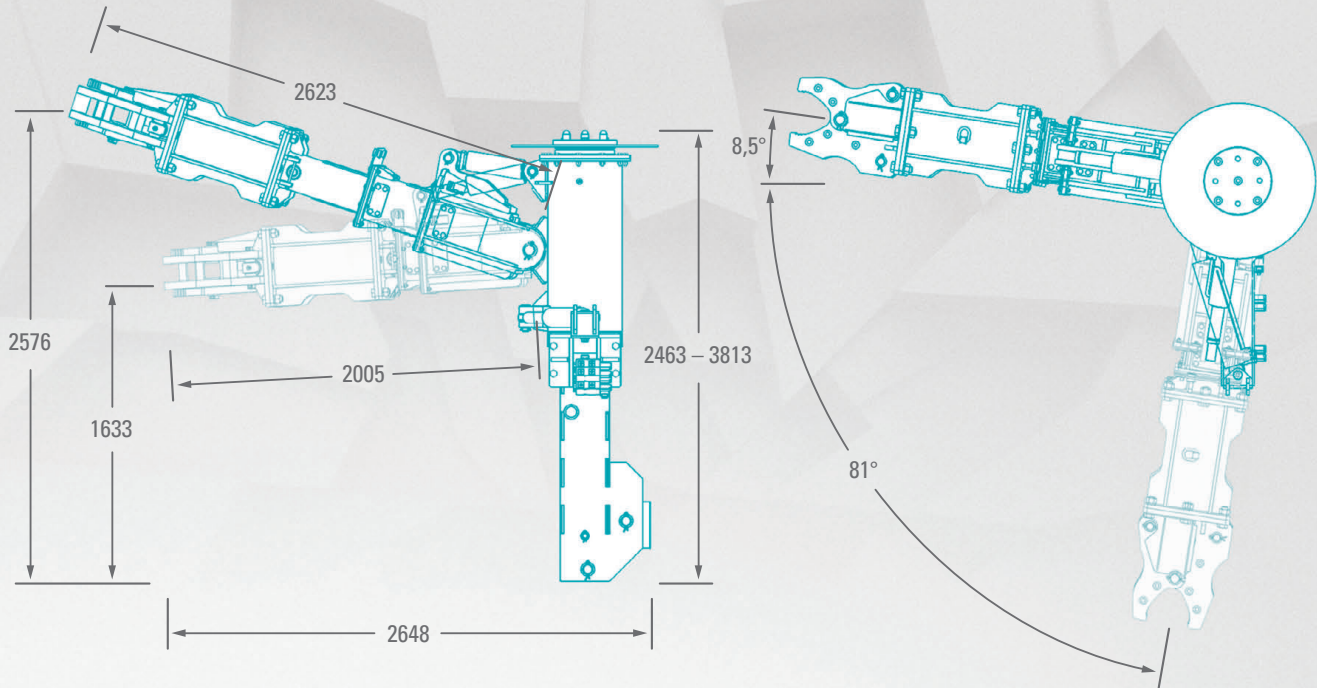
MDR
HERON
REMOVAL MANIPULATOR



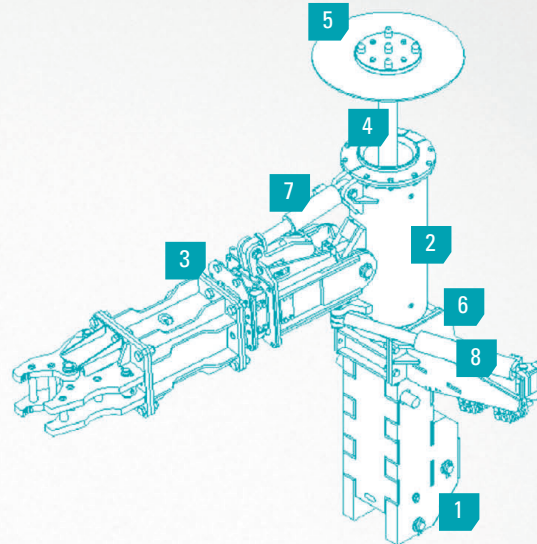
Removal manipulator MDR-HERON is device designed to disassembly of steel arch support elements in underground roadways. This device allows to safely remove steel arch support elements without necessity of employee's presence in hazard area during removal process. Structure of this device allows to mount it onto beam stage loader pan line.

MDR-HERON
REMOVAL MANIPULATOR

DIAGRAM



- 1 Base.
- 2 Swivel element.
- 3 Holding arm.
- 4 Hydraulic prop (actuator).
- 5 Head.
- 6 Holder.
- 7 Actuator for arm lifting.
- 8 Actuator for arm rotating.



TECHNICAL CHARACTERISTICS

WORKING RANGE		MINING EXCAVATION'S HEIGHT [mm]	2600 – 3800
ARM EXTENSION [mm]	1400 – 2600	MAX. WORKING PRESSURE [MPa]	30
ARM LIFTING [mm]	1630 – 2570		
ARM ROTATION ANGLE [°]	90		